



A CSW Industrials Company

TRUaire 1400CB Series

Steel Perforated Face with Neck Mounted Curved Blade T-Bar Diffuser

Model: _____ Size: _____

Project Information:

Job Name: _____

Location: _____

Engineer: _____

Submitted to: _____

For: Reference Approval Construction

Submitted by: _____

Reference: _____

Submittal Information:

Approval: _____

Date: _____

Construction: _____

Unit #: _____

Drawing #: _____

Construction Options

R6 Molded Insulated Back

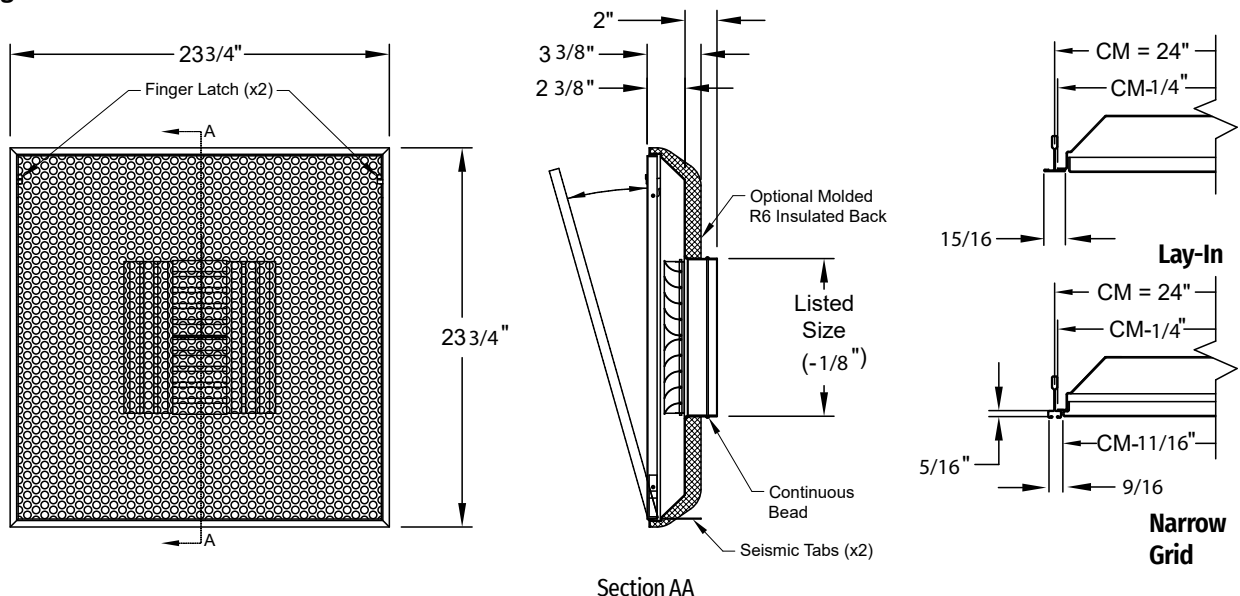
Available Round Neck Diameters (IN):

6, 8, 10, 12, 14, 16, 18 and 20

(Sec. I) Features

- 51% Free Area Perforated Face
- Hinged Perforated Face
- Pristine White Powder Coat Finish

(Fig. I) Product Image:



RectorSeal® • 2601 Spenwick Drive • Houston, TX 77055 • 800-231-3345 • rectorseal.com

A CSW Industrials Company. RectorSeal, the logos and other trademarks are property of RectorSeal, LLC, its affiliates or its licensors and are protected by copyright, trademark and other intellectual property laws, and may not be used without permission. RectorSeal reserves the right to change specifications without prior notice. ©2023 RectorSeal. All rights reserved. R50956-0323